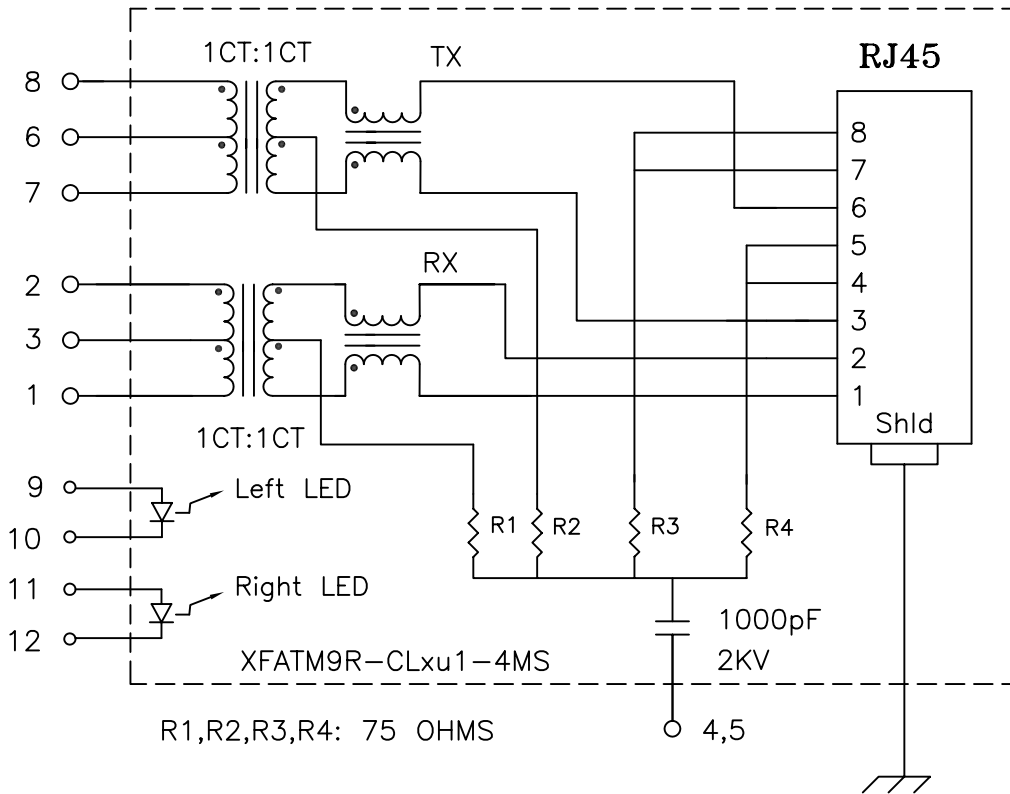


Schematic:



Electrical Specifications: @25°C

- Isolation Voltage: 1500 Vrms (Input to Output)
- Isolation Voltage: 500 Vrms (P1+2+3 to P4+5+6)
- Turns Ratio: TX 1CT:1CT ±3% RX 1CT:1CT ±3%
- CABLE SIDE OCL: 350uH Minimum @100KHz 100mV 8mADC
- Cw/w: 27pF Typical @100KHz 100mV
- Insertion Loss (300KHz-100MHz): 1.0dB Max
- Return Loss: @30MHz 18dB Minimum
@80MHz 12dB Minimum
- CMRR: 1-50MHz -30dB Typ
50-150MHz -20dB Typ

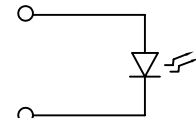
Complete the Combo P/N as follows:

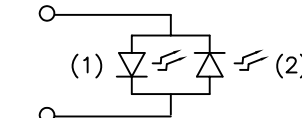
Replace 'x' & 'u' in the part number with one of the LED color letters:

Y=Yellow
G=Green
A=Amber
R=Red

'x' = Left LED Color
'u' = Right LED Color

C=Green(1)/Amber(2) Bicolor
D=Amber(1)/Green(2) Bicolor
M=Green(1)/Yellow(2) Bicolor
N=Yellow(1)/Green(2) Bicolor
P=Red(1)/Green(2) Bicolor
Q=Green(1)/Red(2) Bicolor

Single Color LED: 

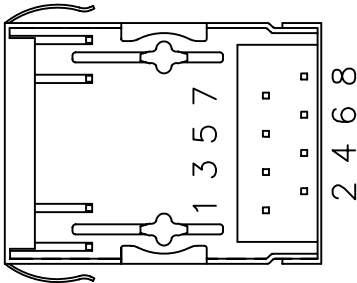
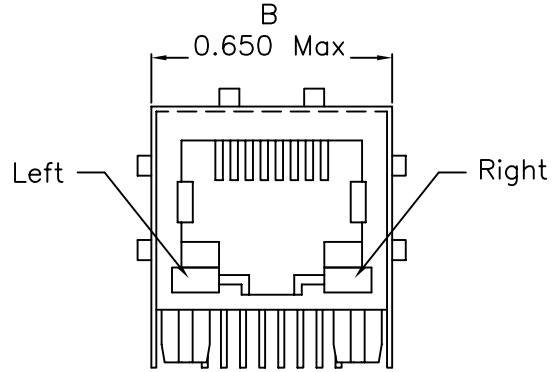
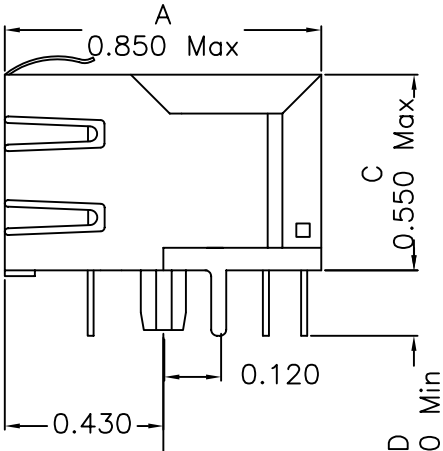
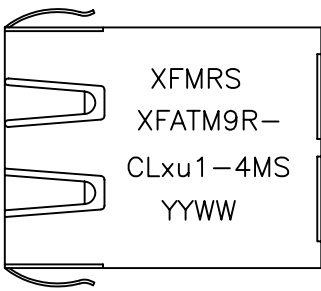
Bi-Color LED: 

Notes:

1. Solderability: Leads shall meet MIL-STD-202, Method 208D for solderability.
2. Flammability: UL94V-0
3. ASTM oxygen index: > 28%
4. Temperature rating: 155°C. UL file E151556
5. Operating Temperature Range: -40°C to +85°C

XFMRS Inc.		Title: SINGLE PORT COMBO	
UNLESS OTHERWISE SPECIFIED TOLERANCES: .xxx ±0.010		P/N: XFATM9R-CLxu1-4MS	REV. A
Dimensions in Inch	DWN.	刘鹏	Mar-27-03
	CHK.	李小锋	Mar-27-03
SHEET 1 OF 2	APP.	Isaiah M	Mar-27-03

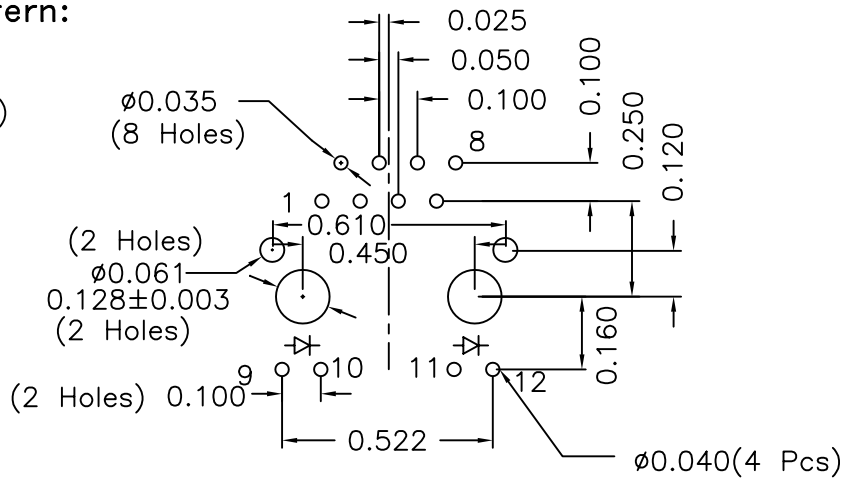
Mechanical Dimensions:



(BOTTOM VIEW)

Mounting Pattern:

(COMP SIDE)



XFMRS Inc.	Title: Mechanical Dimensions For CLxu1-4MS Series		
UNLESS OTHERWISE SPECIFIED TOLERANCES: .xxx ±0.010 Dimensions in Inch	P/N: XFATM9R-CLxu1-4MS		REV. A
	DWN.	罗振江	Mar-27-03
	CHK.	廖玉坤	Mar-27-03
SHEET 2 OF 2	APP.	Isaiah M	Mar-27-03